

Engine Yanmar 4TNE98-BQFLCC / 3.32 L
Fuel Type Diesel
Capacity @ 500 mm LC 3,500 kg

CLG2035H

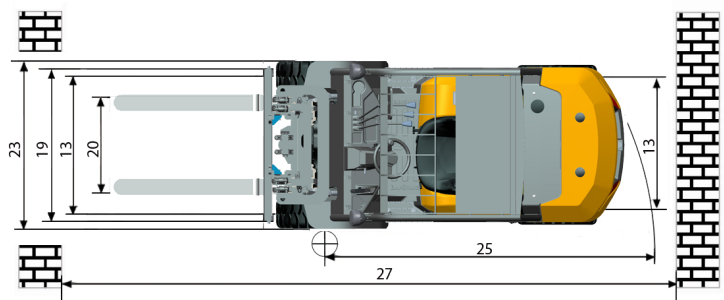
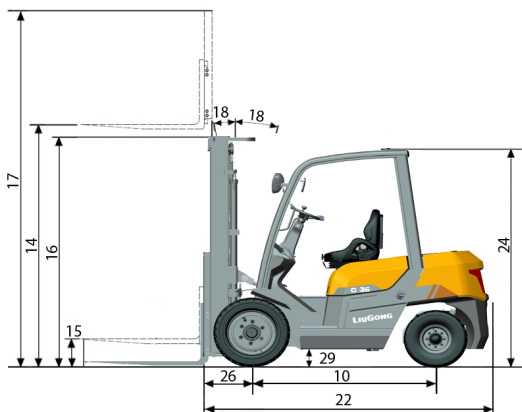
DIESEL
PNEUMATIC TIRE FORKLIFTS
C SERIES



TOUGH WORLD. TOUGH EQUIPMENT.

CLG2035H SPECIFICATIONS >>>

General	Model	1			CLG2035H	
	Power Type	2			Diesel	
	Base Capacity	3	@ rated load center	kg	3,500	
	Load Center	4		mm	500	
Weights	Service Weight	5	unloaded	kg	4,916	
	Axle Load	6	loaded / unloaded, front	kg	7,054 / 1,489	
		7	loaded / unloaded, rear	kg	1,362 / 3,427	
Tires	Tire Type	8			Pneumatic	
	Wheels	9	front / rear		2 / 2	
	Wheelbase	10		mm	1,700	
	Tire Size	11	front			28x9-15-14PR
		12	rear			6.50-10-10PR
13	Tread Width	front / rear			1,000 / 992	
Mast	Max. Fork Height	14	with std 2-stage mast	mm	3,000	
	Freelift	15	with std 2-stage mast	mm	145	
	Height, Upright Lowered	16	with std 2-stage mast	mm	2,210	
	Height, Upright Extended	17	with std 2-stage mast	mm	4,046	
	Mast Tilt, Fwd/Back	18	with std 2-stage mast	deg	6° / 12°	
	Carriage	19	width	mm	1,100	
	Fork Spread	20	minimum / maximum	mm	272 / 1,072	
	Fork Dimensions	21	T x W x L	mm	50 x 122 x 1,070	
Chassis	Length to Fork Face	22	with std 2-stage mast	mm	2,753	
	Overall Width	23		mm	1,225	
	Overhead Guard Height	24		mm	2,200	
	Turning Radius	25	minimum outside	mm	2,435	
	Fork Overhang	26	with std 2-stage mast	mm	503	
	Right Angle Stack	27	add load length and clearance	mm	4,192	
	Ground Clearance	28	minimum loaded	mm	105	
		29	center of wheelbase	mm	165	
Performance	Travel Speed	30	loaded / unloaded	km/h	18.5 / 19	
	Lift Speed	31	loaded / unloaded	m/s	0.53 / 0.59	
	Lower Speed	32	loaded / unloaded	m/s	0.50 / 0.40	
	Max. Drawbar Pull	33	loaded	kg	1,900	
	Max. Gradeability	34	loaded / unloaded	%	20 / 31	
Systems	Brakes	35	service		Foot / Hyd	
		36	parking		Hand / Mech	
		37	manufacturer		Yanmar	
	Engine	38	model			4TNE98-BQFLC
		39	emission compliance			EU Stage IIIA
		40	cylinders			4
		41	displacement	liter		3.32
		42	rated power	kW/rpm		42.1 / 2,300
		43	max. torque	N-m/rpm		196.3 / 1,700



Guangxi Liugong Machinery Co., Ltd.

No. 1 Liutai Road, Liuzhou, Guangxi 545007, PR China
T: +86 772 3886124 E: overseas@liugong.com

www.liugong.com

01/2022 Designed by LiuGong

Specifications and designs are subject to change without notice. Machines shown may include optional equipment.