

# Bastian Solutions CB18 AGF – smart, efficient manufacturing and distribution material handling – no operators needed



## CB18 AGF with Natural Features Navigation

### EXECUTIVE SUMMARY

Bastian Solutions' CB18 AGF is a flexible, extensible automation solution that can improve material handling processes in both factories and warehouses. This innovative vehicle addresses many challenges companies face such as labor availability, inventory tracking, operational visibility, peak seasons, safety concerns and space limitations.

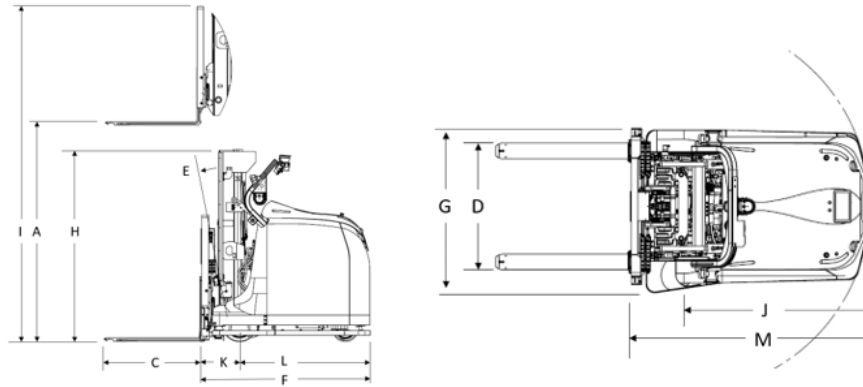
Equipped with options not seen in other AGFs, the CB18 can not only transform floor operations but can interface with other material handling equipment to increase the productivity of the entire automated system.



### OVERVIEW

- Weight capacity up to 1800kg (4000 lbs.)
- Maximum travel speed with forks trailing 3m/s (9.8 f/s)
- Category 3 safety system
- Dual traction wheels improve braking and navigation
- Natural feature navigation via LiDAR with 360° field of view
- Reach height of 4,470mm (176 in)
- Standard and custom forks or attachments for special applications

# CB18 Specifications



General Data			CB18	
<b>Capacity</b>		<b>kg (lbs.)</b>	1800 (4000)	
<b>Speed</b>	<b>Max. Travel Loaded - Forks Trailing</b>	<b>m/s (f/s)</b>	3 (9.8)	
	<b>Max. Travel Unloaded - Forks Trailing</b>	<b>m/s (f/s)</b>	3 (9.8)	
	<b>Max. Travel Loaded - Forks Leading</b>	<b>m/s (f/s)</b>	2 (6.6)	
	<b>Max. Travel Unloaded - Forks Leading</b>	<b>m/s (f/s)</b>	2 (6.6)	
<b>Battery</b>			48 V lithium-ion	
<b>Guidance Method</b>			Natural feature via 2D LiDAR	
<b>Travel Instruction Method</b>			Feature map with virtual path planning & devices	
<b>Drive Type</b>			AC Motors	
<b>Steering</b>			Overly constrained tricycle with dual traction wheels	
<b>Brakes</b>			Electro-magnetic (failsafe)	
<b>Safety</b>			Category 3 safety	
			Lighting - status indication, turn signals, warning spotlights	
			5 emergency stop pushbuttons (4 on vehicle, 1 on pendant)	
			Low deflection three stage rigid mast	
<b>Weight</b>		<b>kg (lbs.)</b>	5248 (11570)	
<b>Dimensions</b>	<b>A</b>	<b>Max Fork Height</b>	<b>mm (in)</b>	4470 (176)
	<b>B</b>	<b>Free-Lift</b>	<b>mm (in)</b>	1577 (62.1)
	<b>C</b>	<b>Fork Size (LxW)</b>	<b>mm (in)</b>	1066.8 to 1219.2 (42 to 48) x 122 (4.8)
	<b>D</b>	<b>Fork Spread Max/Min</b>	<b>mm (in)</b>	993.5 (39.1) / 152.4 (6)
	<b>E</b>	<b>Tilt Range (forward/backward)</b>	<b>degrees</b>	+/- 5
	<b>F</b>	<b>Length to Fork Face</b>	<b>mm (in)</b>	1867 (73.5)
	<b>G</b>	<b>Overall Width</b>	<b>mm (in)</b>	1277.6 (50.3)
	<b>H</b>	<b>Mast Lowered Height</b>	<b>mm (in)</b>	2104.6 (82.9)
	<b>I</b>	<b>Mast Extended Height</b>	<b>mm (in)</b>	5842 (230)
	<b>J</b>	<b>Turning Radius</b>	<b>mm (in)</b>	1469.4 (57.85)
	<b>K</b>	<b>Load Distance</b>	<b>mm (in)</b>	434.3 (17.1)
	<b>L</b>	<b>Rear Overhang</b>	<b>mm (in)</b>	1432.6 (56.4)
	<b>M</b>	<b>Basic Right-Angle Stacking Aisle</b>	<b>mm (in)</b>	1901.2 (74.85)