

LT22JE

Telescopic Boom Lifts-Electric



Safe and Reliable

- Standard dual channel sensor, safe and reliable;
- Electric emergency power systems provide more security;
- The protection level of components of the whole machine is above IP65, the protection level is high.

Intelligent and efficient

- Composite action, intelligent and efficient;
- Electronic differential combined with suspending axle technology for better trafficability;
- The turntable rotates 360 ° continuously with small tail, which is suitable for narrow space operation;
- Four wheel strong AC electric drive, climbing capacity up to 40%, strong trafficability;
- High-power charger, large-capacity power battery, fast charging, ultra-long endurance;
- 2.4 m large working platform,300kg/454kg double load design, carrying more materials, Higher operation efficiency.

Energy saving and comfort

- Self -weight decrease through the booms, energy saving and stable;
- Automatic deceleration at the action limit position, stable action, small shaking;
- Optimize the electric control algorithm with the load sensitive hydraulic system to achieve accurate power output.

Green and environmental protection

- Pure electric power, low use and maintenance cost, high return on investment;
- Green and environmental protection, no emission, low noise, meet indoor and outdoor working conditions.

Standard configuration

- | | |
|---|------------------------------------|
| ·Platform work lights | ·Electric emergency descent system |
| ·Working strobe lamp | ·Manual emergency descent system |
| ·Load Sensing System | ·Emergency stop system |
| ·Electro hydraulic proportional control | ·Anti crash device |
| ·Automatic brake system | ·Remote fault diagnosis system |
| ·Tilt protection system | ·overload protection |
| ·Telematics-BOX | ·Full action warning |

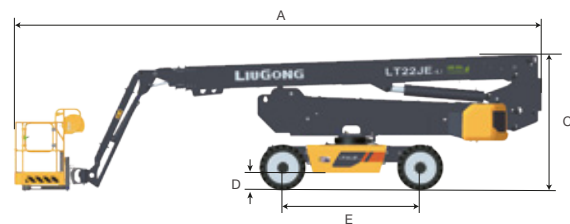


LT22JE >>>

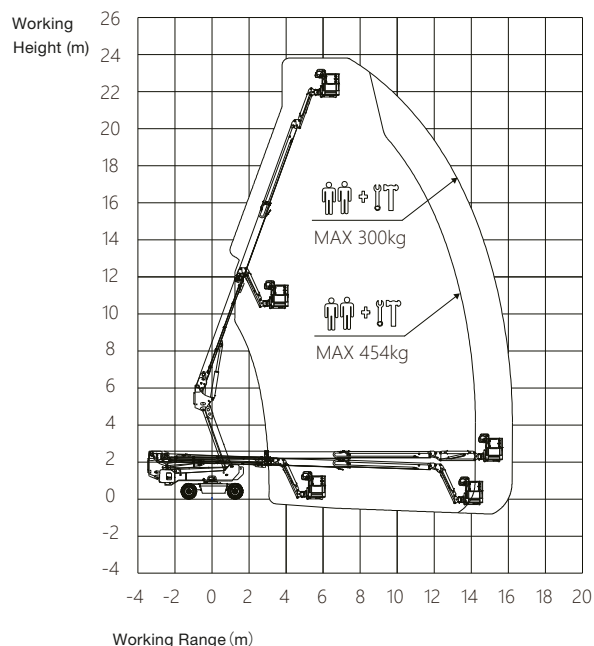


Main Parameters

Item	Unit	LT22JE
Size		
Max.Working Height	m	23.8
Max.Platform Height	m	21.8
Max.Operating Range	m	16.3
A-Overall Length(Stowed)	m	9.5
B-Overall Width(Stowed)	m	2.42
C-Overall Height(Stowed)	m	2.47
Overall Length(Transport)	m	9.5
Overall Width(Transport)	m	2.28
Overall Height(Transport)	m	2.27
Platform Size(L×W×H)	m	2.4×0.9×1.1
Turntable Tailswing(Raised)	m	1.65
Turntable Tailswing(Stowed)	m	2.25
D-Ground learance	m	0.31
E-Wheelbase	m	2.5
Turning Radius(Inside/Outside)	m	2.4/5.5
Tyres	/	33×12-20 (Solid off-road tyre)
Performance		
Platform Load(Unrestricted/restricted)	kg	300/454
Max.Occupants	/	2
Gradeability	/	40%
Travel Speed(Stowed)	km/h	5
Travel Speed(Raised)	km/h	1
Max.Working Slope	/	X-5°/Y-5°
Turret Rotation	/	360°Continuous
Platform Rotation	/	±90°
Jib Movement	/	-65°~+70°
Drive Steering Type	/	4WD×2WS
Weight		
Overall Weight	kg	10700
Power		
Battery (Lithium)	/	48V/460Ah
Charger	/	48V/60A
Driving Motor	/	24V/3.3kW
Lifting Motor	/	24V/12kW
Hydraulic Tank	L	100



LT22JE Performance Curve



Las especificaciones y diseños están sujetos a cambios sin previo aviso. Las máquinas mostradas pueden incluir equipos estándar y opcionales.